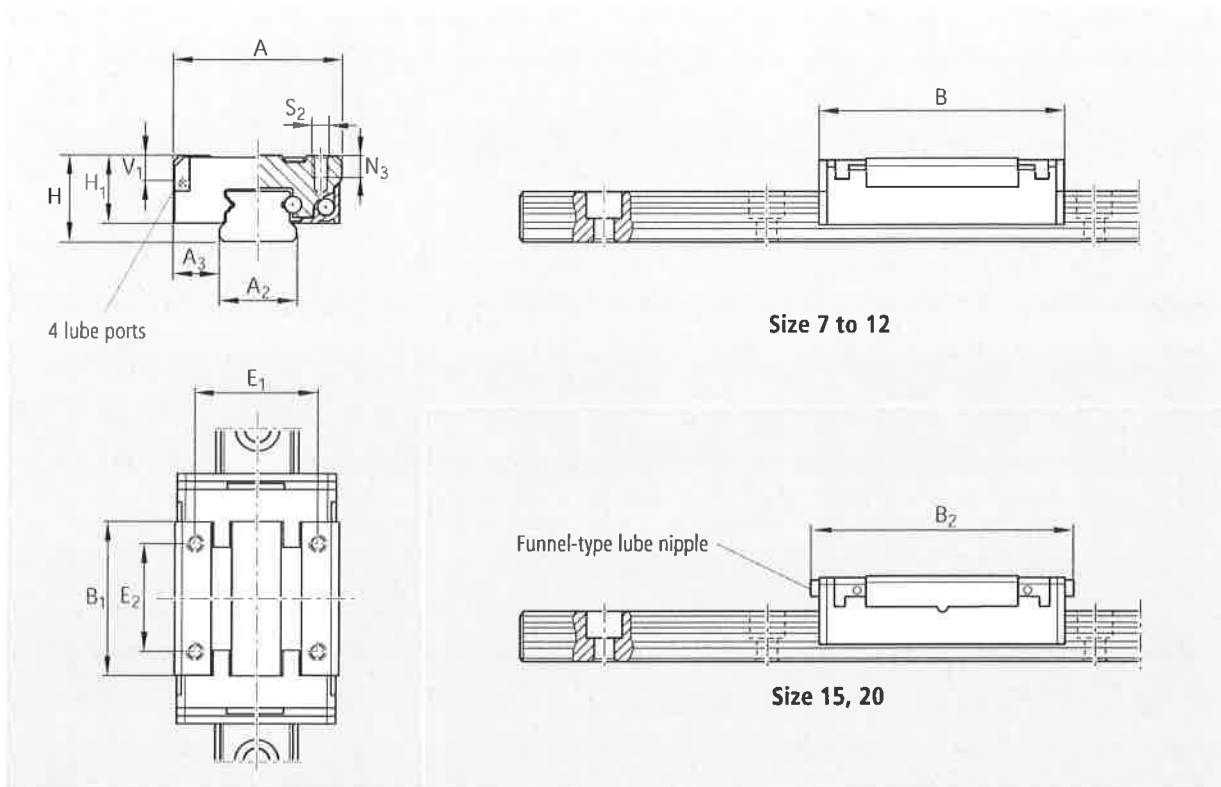


0442 = Size 12



Size 7 to 12

Size 15, 20

Size	Dimensions (mm)												
	A	A ₂	A ₃	B	B ₁	B ₂	H	H ₁	V ₁	E ₁	E ₂	N ₃	S ₂
7	17	7	5.0	24.0	14.5	–	8	6.5	2.0	12	8	2.5	M2
9/M3	20	9	5.5	31.0	20.7	–	10	8.0	2.8	15	10	3.5	M3
9/M2	20	9	5.5	31.0	20.7	–	10	8.0	2.8	15	13	2.5	M2
12	27	12	7.5	34.8	21.6	–	13	10.0	3.3	20	15	3.5	M3
15	32	15	8.5	43.0	27.2	46	16	12.0	4.7	25	20	4.0	M3
20	46	20	8.0	66.0	45.1	69	25	17.5	7.0	38	38	6.0	M4

Size	Weight Runner blocks (g)	Load capacities (N)		Moments (Nm)			
		C ¹⁾ dyn.	C ₀ ¹⁾ stat.	M _L ²⁾ dyn.	M _{L0} ²⁾ stat.	M _L ²⁾ dyn.	M _{L0} ²⁾ stat.
7	9	860	1400	3.1	5.1	1.9	3.2
9/M3	16	1180	2100	5.4	9.6	3.6	6.4
9/M2	16	1180	2100	5.4	9.6	3.6	6.4
12	33	2310	3470	13.7	20.6	7.9	11.8
15	47	4200	6260	31.2	46.3	18.3	27.0
20	177	7900	12230	81.4	126.0	51.7	80.0

¹⁾ Calculated values conforming to DIN 636 Part 2

²⁾ Calculated values (based on C, C₀)